

Suction plate (round)

SPU 125 NBR-55 G1/4-IG

Part no.:10.01.01.01102

<https://www.schmalz.com/10.01.01.01102>

Homepage > Vacuum Technology for Automation > Vacuum Components > Vacuum Suction Cups > Flat suction cup (round) > Suction Plates

SPU > SPU 125 NBR-55 G1/4-IG

Suction plate (round), universal, for smooth and slightly rough surfaces



Size: 125

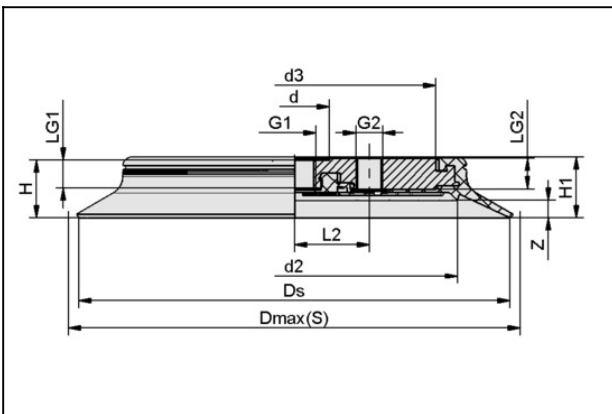
Suction cup material:

Nitrile rubber NBR

Material hardness: 55 °Sh

Vacuum connection: G1/4"-F

Design Data



Attribute	Value
d	22 mm
d2	83 mm
d3	61 mm
Dmax(S)	132 mm
Ds	125 mm
G1	G1/4"-F
G2	G1/4"-F
H	25 mm
H1	26 mm
L2	22 mm
LG1	13 mm
LG2	14 mm
Z (Stroke)	7 mm

Suction plate (round)

SPU 125 NBR-55 G1/4-IG

Part no.:10.01.01.01102

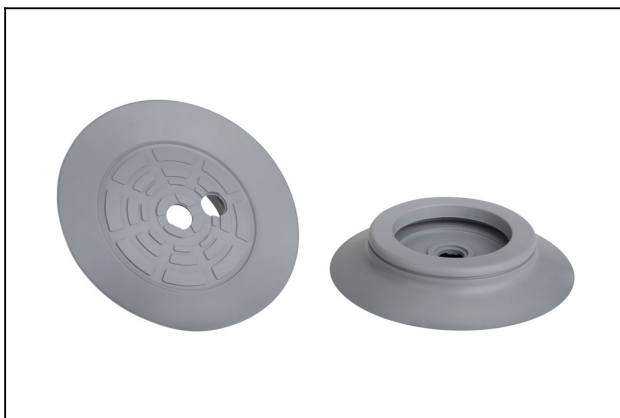
<https://www.schmalz.com/10.01.01.01102>



Technical Data

Attribute	Value
Suction force (-600mbar)	660 N
Suction force d2	365 N
Volume	75.6 cm ³
Curve radius (min) (convex)	220 mm
Hose diameter (empf.) d	9 mm
Size	125
Suction cup material	Nitrile rubber NBR
Material hardness [Shore A]	55.0 Shore A
Weight	200 g
Number of folds	0
Product family	SPU

Spare Parts



DR-SPU 125 NBR-55

Part no.10.01.01.01099

Sealing ring for suction plate SPU

Size: 125

Suction cup material:

Nitrile rubber NBR

Material hardness: 55 °Sh

Suction plate (round)

SPU 125 NBR-55 G1/4-IG

Part no.:10.01.01.01102

<https://www.schmalz.com/10.01.01.01102>

Accessories



SU 120

Part no.10.01.01.12437

Cover for suction cup

Size: 120

Clamping range: 115.0 ... 130.0 mm

Temperature resistance: 80 °C