

## Bell suction cup (round)

SAXM 30 ED-85 M14x1.5-AG

Part no...:10.01.19.00017

<https://www.schmalz.com/10.01.19.00017>

Home > Vacuum Technology for Automation > Vacuum Components > Vacuum Suction Cups > Suction Cups for Handling Sheet Metal > Bell-Shaped Suction Cups SAXM > SAXM 30 ED-85 M14x1.5-AG

### Bell suction cup (round) for best adaptation to strongly curved surfaces



Size: 30

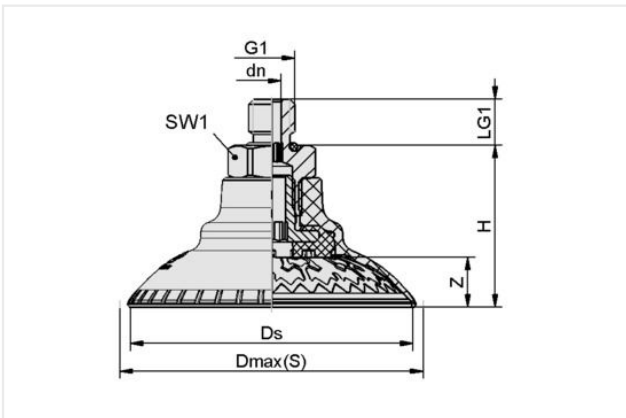
Suction cup material: Elastodur

Material hardness [Shore A]: 85 Shore A

Nipple material: Aluminum

Connection: M14x1.5-AG

### Design Data



Attribute	Value
dn	5.10 mm
Dmax(S)	35.20 mm
Ds	31.60 mm
G1	M14x1.5-M
H	25 mm
LG1	10 mm
SW1	17 mm
Z (Stroke)	4.30 mm

Note: Acceptable dimensional tolerances for elastomer parts concerning to DIN ISO 3302-1 M3

### Technical Data

Attribute	Value
Suction force (-600mbar)	39 N
Lateral force	32 N
Lateral force (oily surface)	41 N
Volume	3.40 cm <sup>3</sup>
Curve radius (min) (convex)	18 mm
Hose diameter (empf.) d	5 mm
Size	30

### Contact Schmalz

J. Schmalz GmbH | Johannes-Schmalz-Str.1, 72293 Glatten, Germany | +49 7443 2403-102 | [customercenter@schmalz.de](mailto:customercenter@schmalz.de)

## Bell suction cup (round)

SAXM 30 ED-85 M14x1.5-AG

Part no.:10.01.19.00017

<https://www.schmalz.com/10.01.19.00017>

Connection	M14x1.5-M
Number of folds	0
Suction cup material	Elastodur
Material hardness [Shore A]	85 Shore A
Weight	15.10 g
Product family	SAXM

Note: Suction force: The specified suction forces are theoretical values at a vacuum of -0.6 bar and with a dry, smooth and flat workpiece surface - they do not include a safety factor Lateral force: The specified lateral forces are values measured at a vacuum of -0.6 bar with a dry or oily, smooth, flat workpiece surface. Depending on the workpiece surface and its quality, the actual values may deviate from these values Hose diameter: The recommended hose diameter refers to a hose length of approx. 2 m

### Spare parts



#### SC-A 045 M14x1.5-AG L

Part no.:10.01.06.02820

Connection geometry: 045

Thread G1: M14x1.5-M

Fitting length: 7.2 mm

Shape: Self Locking



#### SAXM 30 ED-85 SC045

Part no.:10.01.19.00004

Size: 30

Suction cup material: Elastodur

Material hardness [Shore A]: 85 Shore A

### Contact Schmalz

J. Schmalz GmbH | Johannes-Schmalz-Str.1, 72293 Glatten, Germany | +49 7443 2403-102 | [customercenter@schmalz.de](mailto:customercenter@schmalz.de)

## Bell suction cup (round)

SAXM 30 ED-85 M14x1.5-AG

Part no...:10.01.19.00017

<https://www.schmalz.com/10.01.19.00017>



**SC-S 045 FDC-L**

Part no...:10.01.06.02803

Shape: Frict elem with Self lock