

GBS

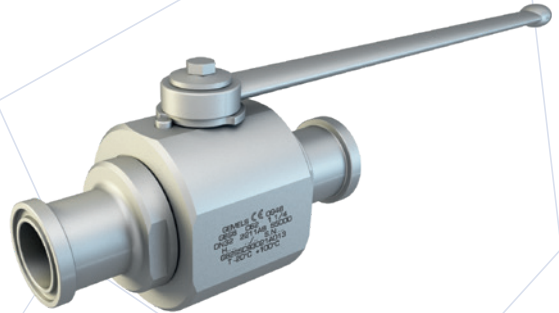
2-WAY HIGH PRESSURE BALL VALVES

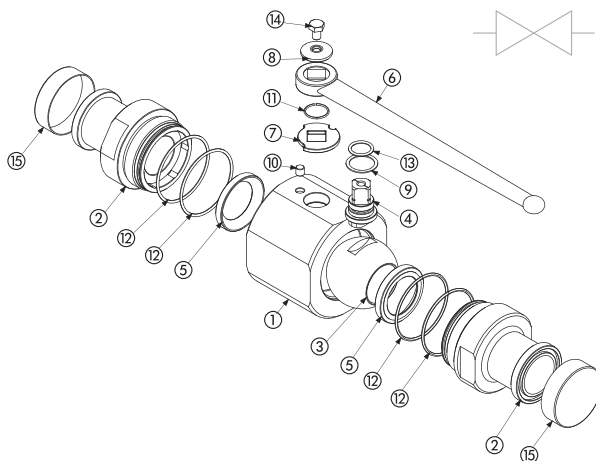
CARBON STEEL

- Type: ball valve GB 2 way
- Body: forged
- Ball seats: from DN32 up to DN50
- Operating pressure: S3000 (210 bar), S6000 (350 bar) depending on valve size and seal materials selected
- Temp range: -20°C to +100°C depending on seal material selected

STAINLESS STEEL

- Type: ball valve GB 2 way
- Body: forged
- Ball seats: from DN32 up to DN50
- Operating pressure: S3000 (210 bar), S6000 (350 bar) depending on valve size and seal materials selected
- Temp range: -30°C to +100°C depending on seal material selected





CARBON STEEL			
POS	DESCRIPTION	MATERIAL	Q.TY
1	Body	1,0570	1
2	Adapter	1,0570	2
3	Ball	1,0737	1
4	Stem	1,0737	1
5	Ball seat	POM	2
6	Handle	1,0116	1
7	Washer	1,0116	1
8	Washer	1,0737	1
9	Stem ring	POM	1
10	Spine	1,0737	1
11	Seeger	1,4301	1
12	Adapter o-ring	NBR	4
13	Stem o-ring	NBR	1
14	Screw	ISO4017 8.8	1
15	Caps	PVC	2

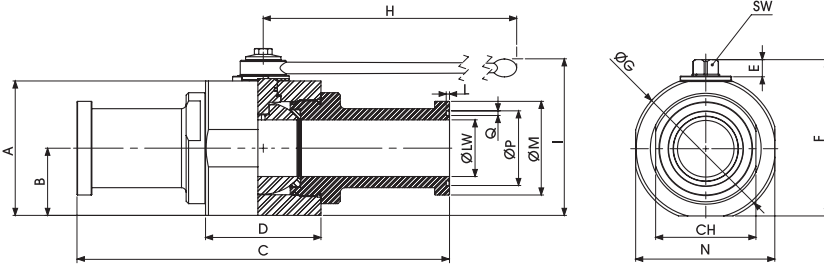
CARBON STEEL										
GB	S3	DN32	2	2	1	1	A	B		
TYPE AND WAY OF VALVE	VALVES DIMENSION OF PRESSURE (PSI)		NOMINAL DIMENSION	BODY MATERIAL	ADAPTER MATERIAL	STEM MATERIAL	BALL MATERIAL	BALL SEAT MATERIAL	ADAPTER AND STEM SEAL MATERIAL	
	S3	S6								
GB 2-way	S3000	S6000	DN32 DN40 DN50	2 1,0570	2 1,0570	1 1,0737 4 1,4404*	1 1,0737 4 1,4404*	A POM D PEEK* G PA612* K GEMPTFE* C PTFE*	B NBR E FKM* F EPDM* L MVQ*	

STAINLESS STEEL			
POS	DESCRIPTION	MATERIAL	Q.TY
1	Body	1,4404	1
2	Adapter	1,4404	2
3	Ball	1,4404	1
4	Stem	1,4404	1
5	Ball seat	POM	2
6	Handle	1,4301	1
7	Washer	1,4301	1
8	Washer	1,4301	1
9	Stem ring	POM	1
10	Spine	1,4301	1
11	Seeger	1,4301	1
12	Adapter o-ring	NBR	4
13	Stem o-ring	NBR	1
14	Screw	ISO4017 A2	1
15	Caps	PVC	2

STAINLESS STEEL										
GB	S3	DN32	4	4	4	4	A	B		
TYPE AND WAY OF VALVE	VALVES DIMENSION OF PRESSURE (PSI)		NOMINAL DIMENSION	BODY MATERIAL	ADAPTER MATERIAL	STEM MATERIAL	BALL MATERIAL	BALL SEAT MATERIAL	ADAPTER AND STEM SEAL MATERIAL	
	S3	S6								
GB 2-way	S3000	S6000	DN32 DN40 DN50	4 1,4404	4 1,4404	4 1,4404	4 1,4404	A POM D PEEK* G PA612* K GEMPTFE* C PTFE*	B NBR E FKM* F EPDM* L MVQ*	

- *On request:
- Reduced bore
 - Special threads
 - Pressure class up to PN5000 Psi
 - Pneumatic and electrical actuator
 - Locking device

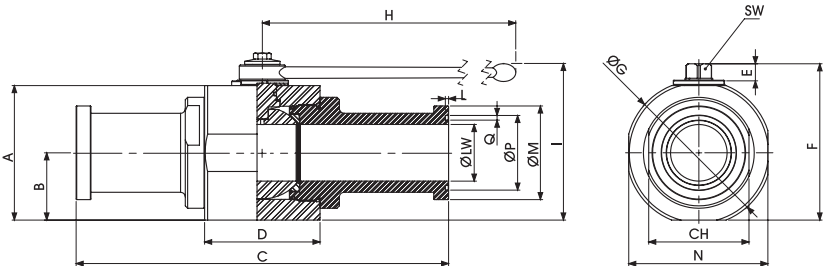
For further special requests please consult our technical/commercial service



GBS SAE J518 S3000

Standard

TYPE	PN	DN	A	B	C	D	E	F	ØG	H	I	L	ØM	N	CH	ØP	Q	SW	ØLW	KG	CARBON STEEL	STAINLESS STEEL
																					ITEM CODE	ITEM CODE
GBS3	4000 Psi	32	93	46,5	190,5	75	13,5	111,5	98	300	120,5	2,79	50,8	88	60	44,45	3,94	17	32	5,429	GB2SSC3L021A000	GB2SSC3L044A000
GBS3	3000 Psi	40	107	53,5	230,5	85	13,5	125,5	113	300	134,5	2,79	60,26	102	75	53,67	3,94	17	40	8,265	GB2SSC4L021A000	GB2SSC4L044A000
GBS3	3000 Psi	50	115,5	58,5	232	98	13,5	132,5	123	300	141,5	2,79	71,4	118	85	63,25	3,94	17	50	9,865	GB2SSC5L021A000	GB2SSC5L044A000



GBS SAE J518 S6000

Standard

TYPE	PN	DN	A	B	C	D	E	F	ØG	H	I	L	ØM	N	CH	ØP	Q	SW	ØLW	KG	CARBON STEEL	STAINLESS STEEL
																					ITEM CODE	ITEM CODE
GBS6	6000 Psi	32	93	46,5	223	75	13,5	111,5	98	300	120,5	2,79	54	88	60	44,45	3,94	17	32	5,828	GB2SSC93021A000	GB2SSC93044A000
GBS6	6000 Psi	40	107	53,5	281	85	13,5	125,5	113	300	134,5	2,79	63,46	102	75	53,67	3,94	17	40	8,251	GB2SSCA3021A000	GB2SSCA3044A000
GBS6	6000 Psi	50	115,5	58,5	316	98	13,5	132,5	123	300	141,5	2,79	79,4	118	85	63,25	3,94	17	50	11,774	GB2SSCB3021A000	GB2SSCB3044A000