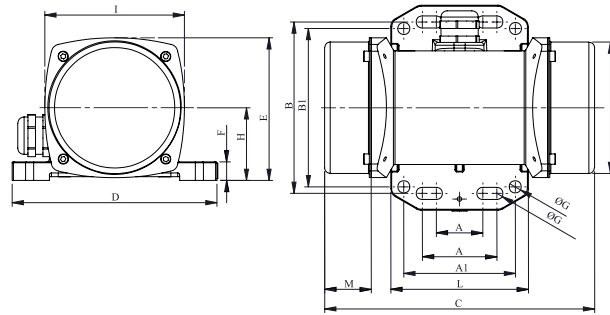




MVE 21/3E-MICRO-M (EE20002100A0MA0000)

1 PH - 2 poles - 3000 RPM - 230 V (1PH) - 50 Hz

Working moment [Kg*cm]	Unbalance [Kg*cm]	Centrifugal force [Kg]	Nominal voltage [V]	Input power [kW]	Current [A]	Power factor	Ia/In
0,4	0,2	20	230 (1PH)	0,04	0,2	0,45	



OVERALL DIMENSIONS (mm)															
Weight [Kg]	A	A1	B	B1	G	Holes number	C	D	E	F	H	I	L	M	N
2	25-40	60	92	85	6,5	4	145	110	76	10	39	75	74	25	70

TECHNICAL FEATURES						
Type of grease	Greased for life	Screw	Washer	Clamping torque (Nm)	Cable type	Cable gland
/	Yes	M6	6,5 x 10 mm	5	3G0.75 80°C	M16 80°C

BEARINGS				
Bearing model	Type	Life 100%	Life 80%	Life 50%
6200 ZZ		>100000	/	/

CERTIFICATION	
ATEX II2 D Ex tb IIIC Tx Db IP66 IECEx Ex tb IIIC Tx Db IP66 CLASS II DIV.2 GROUP F,G T4 Ex tb IIIC Tx Db IP66 [Tx Size Micro,10-30:100°C - Tx Size 40-91:135°C] CONFORME UL1004-3, UL1004-1, UL 60079-0, UL60079-31 CERT. CSA C22.2 No.100, CSA C22.2 No.77, CSA C22.2N.60079-0, CSA C22.2N. 60079-31 T.Amb -20/+40°C	