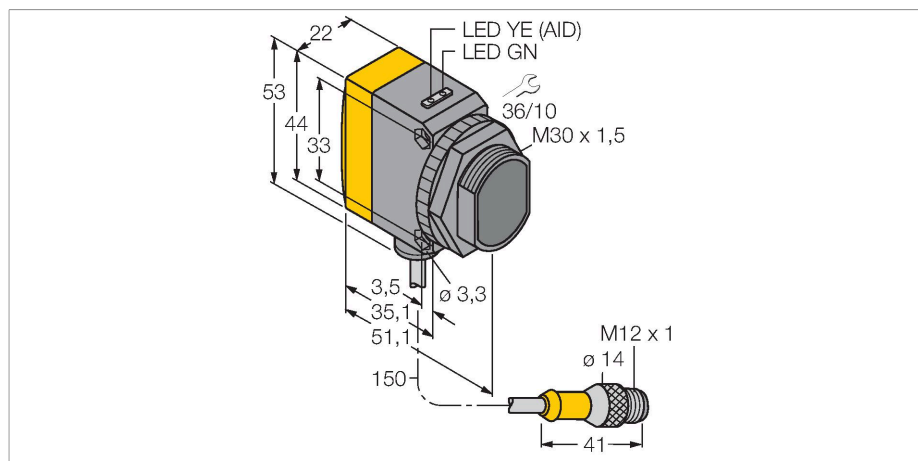


QS30RXH2OUQ5

Photoelectric Sensor – Opposed Mode Sensor (Emitter/Receiver)

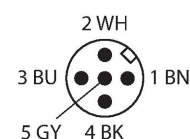
For Water Detection



Features

- Male M12 × 1, 5-pin
- Protection class IP67
- LED all-round visible
- Selectable operating frequency, protection against crosstalk
- Operating voltage: 15...30 VDC
- Analog output, 0...10 V

Wiring diagram



Technical data

Type	QS30RXH2OUQ5
ID	3079181
Optical data	
Function	Opposed mode sensor
Operating mode	Receiver
Range	0...4000 mm
Electrical data	
Operating voltage	10...30 VDC
Residual ripple	< 10 % U _{ss}
DC rated operational current	≤ 65 mA
Short-circuit protection	yes
Reverse polarity protection	yes
Output function	Analog output
Type of analog output	0...10 V
Voltage output	0...10 V
Load resistance	≥ 2000 Ω
Readiness delay	≤ 100 ms
Response time typical	< 25 ms
Mechanical data	
Design	Rectangular with thread, QS30
Dimensions	Ø 30 x 54.3 x 22 x 57 mm
Housing material	Plastic, Thermoplastic material, Yellow
Lens	plastic, Acrylic
Electrical connection	Cable with connector, M12 × 1, 0.15 m, PVC

Functional principle

The opposed mode sensor incorporates an emitter and a receiver. The emitter emits light in the near IR range with a wavelength of 1450 nm, which approximates one of the absorption edges of water. The resulting high contrast ratio leads to a particularly high sensitivity with water or media containing water as opposed to transparent media. The receiver converts the light intensity to an analog output signal of 0...10 V, whereby 0 V indicates the continuous light beam and 10 V indicates the blocked light beam.

Technical data

Number of cores	5
Core cross-section	0.5 mm ²
Ambient temperature	-20...+60 °C
Protection class	IP67
Special features	Encapsulated Water detection
Power-on indication	LED, Green
Switching state	LED, Yellow
Error indication	LED, green, Flashing
Excess gain indication	Bargraph, yellow, flashing
Tests/approvals	
Approvals	CE

Accessories

<p>SMB30A</p>	<p>3032723</p> <p>Mounting bracket, rectangular, stainless steel, for sensors with 30mm thread</p>	<p>SMBQS30L</p>	<p>3002809</p> <p>Mounting bracket, stainless steel, for QS30 series</p>
<p>SMB30MM</p>	<p>3027162</p> <p>Mounting bracket, rectangular, stainless steel, for sensors with 30 mm thread, wide holes for accurate alignment</p>	<p>SMB30SC</p>	<p>3052521</p> <p>Mounting bracket, PBT black, for sensors with 30 mm thread, rotatable</p>

Accessories

Dimension drawing	Type	ID	
	<p>WKC4.5T-2/TEL</p>	<p>6625028</p>	<p>Connection cable, female M12, angled, 5-pin, cable length: 2 m, sheath material: PVC, black; cULus approval; other cable lengths and qualities available, see www.turck.com</p>

Dimension drawing	Type	ID	
	RKC4.5T-2/TEL	6625016	Connection cable, female M12, straight, 5-pin, cable length: 2 m, sheath material: PVC, black; cULus approval; other cable lengths and qualities available, see www.turck.com
	RKS4.5T-2/TEL	6626361	Connection cable, M12 female connector, straight, 5-pin, cable length: 2 m, sheath material: PVC, black; shielded; cULus approval; other cable lengths and qualities available, see www.turck.com
	WKS4.5T-2/TEL	6626364	Connection cable, M12 female connector, angled, 5-pin, cable length: 2 m, sheath material: PVC, black; shielded; cULus approval; other cable lengths and qualities available, see www.turck.com