



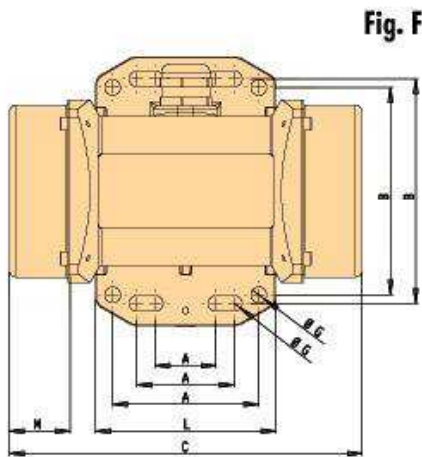
MICRO 3/3M

Single Phase - 2 poles - 3000 RPM - 50 Hz
230 Volt



Mechanical Features		Electric Features	
General		General	
Working Moment	0.08 kgcm	Nominal Voltage	Δ : 230
Unbalance	0.04 kgcm	Input Power	0.03 kW
FC	4 kg	Current A Max	Δ : 0.3 A
Bearings		Power factor	0.43
TYPE (SKF)	627 2Z	la/ln	0
	100% >100000	Certification	
Life(h)	80%:	ATEX II 3D Ex tc IIIC Tx IP66	T 100°
	50%:	Amb Temp.	-20 ≤ T°C ≤ + 40
Bearing Grease			
Lube Schedule (g)			
Lube Replacement (g)			
Grease Type			

Dimensional Features (mm)



A	25-40 60
B	92 85
C	145
M	25
G	6.5 6.5
holes	4 4
D	110
E	76
F	10
H	39
I	75
L	74
N	70

Clamping
Torque(Nm)

5.4
5.4

[[Drawings Download](#)]

Weight(kg)	Screw	Washer	Cable Type	Cable Glante
1.6	M5 M5	5.3x10 5.3x10	3Gx1.5	M16x1,5