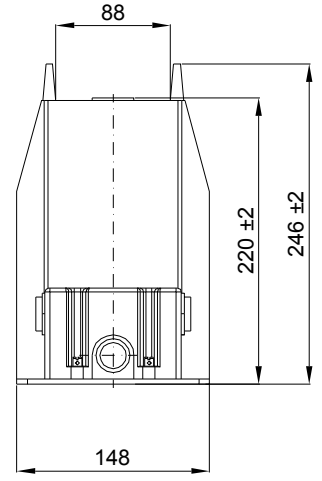
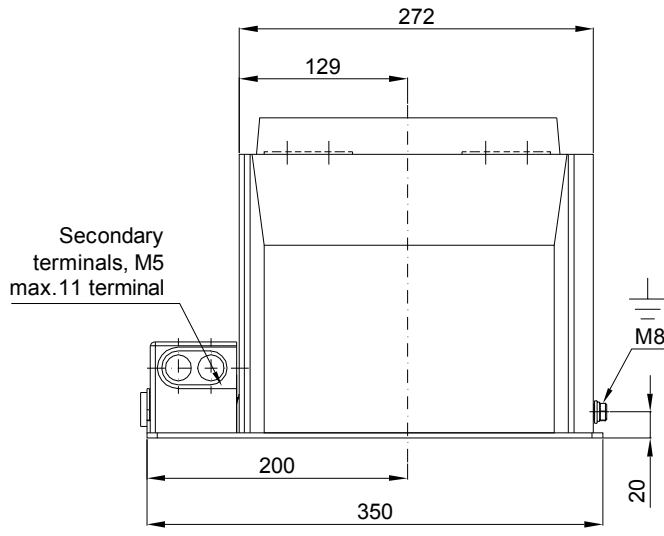
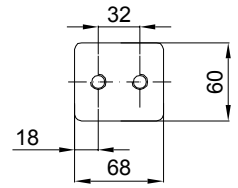


1-

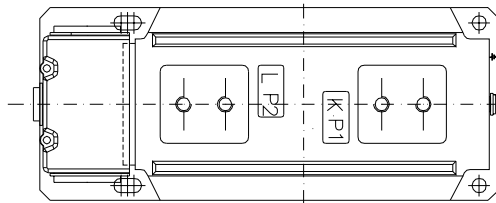
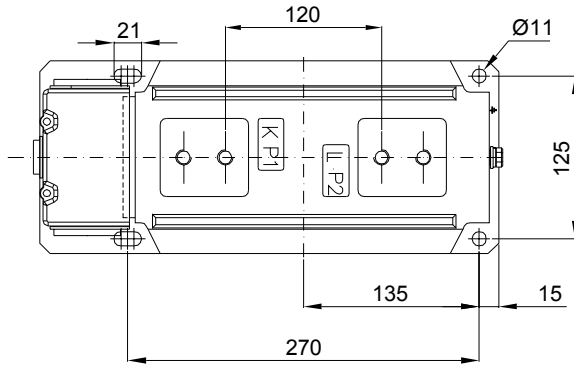


PRIMARY TERMINAL

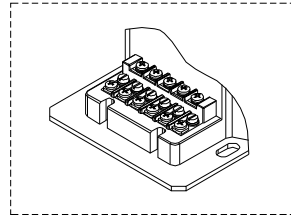
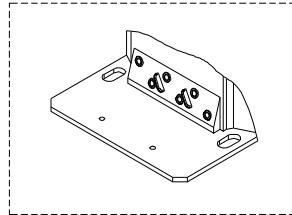


0-1250A

2-



DEĞİŞİKLİK
TEKNİK BÜRO
Tarih 19 / 10 / 2016




up to 6 terminals

from 7 to 11 terminals

SECONDARY TERMINAL'S DETAIL

SCREW	Tightening Torque Nm
M5	2-2,5
M8	16-20
M12	60-70

QTY	DESCRIPTION	POS	DIMENSIONS	WEIGHT	PART OR DIN NO.	MATERIAL			
						Cast-Resin			
	NO	DATE	NAME	MODIFICATION	D	08-07-15	Arzu	View and dimensions was changed.	
	A	03-07-14	Arzu	Primary terminals was changed to 0-1600A.	E	05-08-16	Nilüfer	Plate dimensions was changed.	
	B	24-11-14	Ayşe	Secondary terminal box code changed	F	18-10-16	Nilüfer	Primary current value changed.	
	C	16-12-14	Ayşe	Secondary terminal box code changed					
	TOLERANS DIN ISO 2768-1 (c)				AB12-B12		PLATE CODE	3009751	
	SCALE -/-				CURRENT TRANSFORMER ABB		BOX CODE	3006714	REV.
	REPLACES THE DRAWING NO.				120163		F		
					OG Ölçü Trafo		DR'N		
							CH'D		
							APP'D		
							C.C	MT	