

# k.84

## full port 1/4"-2" hot forged brass ball valves



### Quality:

- 24h 100% seal test guaranteed
- Dual sealing system allows valve to be operated in either direction making installation easier
- No metal-to-metal moving parts
- No maintenance ever required
- Handle clearly shows ball position
- Silicone-free lubricant on all seals
- Handle stops on body to avoid stresses at stem
- Chrome plated brass ball for longer life with rinse hole

### Body:

- Valve length according to DIN 3202 M3 specification
- Finest brass according to EN 12165 and EN 12164 (formerly DIN 17660 and UNI 5705-65) specifications
- Hot forged sand blasted external nickel plated brass body and cap sealed with Loctite® or equivalent threads sealant

### Stem:

- Blowout-proof nickel plated brass stem
- Two FPM O-rings at the stem for maximum safety

### Seals:

- Pure PTFE self-lubricating seats with flexible-lip design

### PED Directives:

- Assessment according to Pressure Equipment Directive 97/23 CE module B+D by Pascal (1115)



### Threads:

- EN 10226-1, ISO 228 parallel female by female threads

### Flow:

- Full port to DIN 3357 for maximum flow

### Handle:

- Geomet® carbon steel handle with thick PVC dip coating. Handle coating offers both thermal and electrical protection

### Working Pressure and Working Temperature:

- 40 Bar (600 PSI)
- non-shock cold working pressure
- -40°C (-40°F) / +170°C (+350°F)
- For use with dangerous fluids temperature rating is -20°C +60°C and pressure rating is 5 Bar
- Warning: freezing of the fluid in the installation may severely damage the valve

### Options:

- Stem extension
- T-handle
- Oval lockable handle
- AISI 430 stainless steel handle
- Patented locking device

### Upon Request:

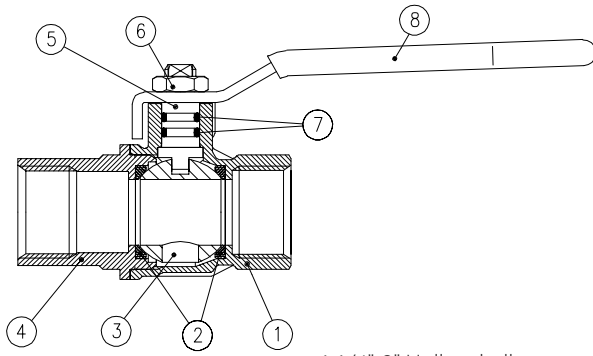
- AISI 316 stainless steel ball
- Glass filled PTFE seals
- Custom Design

### Approved by or in compliance with:

- Danmarks Gasmateriel Provning (Denmark)
- SVGW (Swiss)
- GOST-R (Russia)
- Hygiene and epidemic center in Moscow city (Russia)
- UkrSepro (Ukraine)
- BSI Group

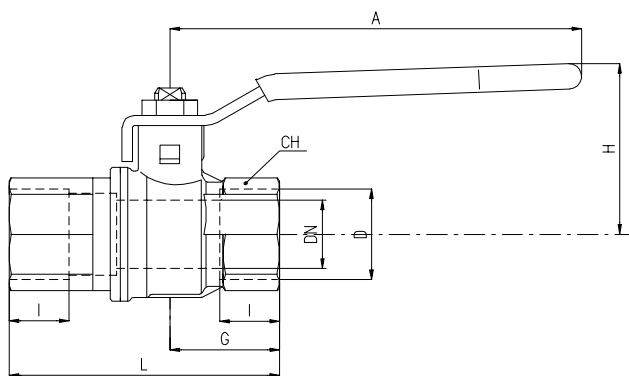
- RoHS Compliant
- DIN-DVGW (Deutschland)
- EAC - Declaration of conformity (Russia-Kazakhstan-Belarus)

**NOTE:** Approvals apply to specific configurations/sizes only.



1.1/4"-2" Hollow ball

PART DESCRIPTION	Q.TY	MATERIAL
1 Nickel plated body (external treatment)	1	CW617N
2 Ball seat	2	PTFE
3 Chrome plated ball with rinse hole (read rinse hole on sizes from 3/4" up to 2")	1	CW617N
4 Nickel plated end cap (external treatment)	1	CW617N
5 Nickel plated stem O-ring design	1	CW617N
6 Geomet® nut	1	CB4FF
7 O-Ring	2	FPM
8 Yellow PVC coated Geomet® steel handle	1	DD11



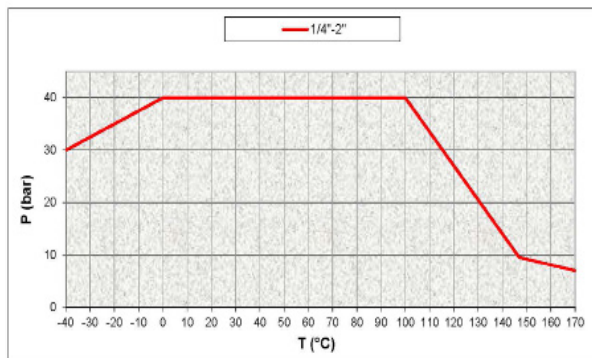
Code	S84B05	S84C05	S84D05	S84E05	S84F05	S84G05	S84H05	S84I05
D (inch)	1/4	3/8	1/2	3/4	1	1 1/4	1 1/2	2
DN (mm.)	8	10	15	20	25	32	40	50
I (mm.)	12	12	15.5	17	21	23	23	26.5
L (mm.)	50	60	75	80	90	110	120	140
G (mm.)	22.5	22.5	29.5	32	40.5	46.5	51	60.5
A (mm.)	82	82	100	120	120	158	158	158
H (mm.)	38	38	43	50	54	73	79	86
CH (mm.)	20	20	25	31	40	49	54	68.5

DN shows the nominal flow diameter. Actual flow diameter complies with full port DIN 3357 part 4.

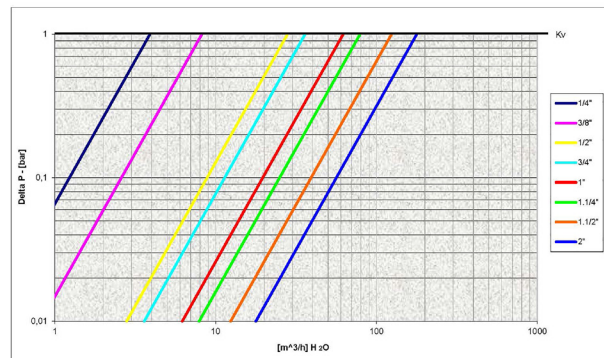
Ask for additional information on the whole range of **RuB** valves and consult with your supplier for special applications.

Ball valves are marked CE on handle from 1.1/4" to 2" as follow: CE 1115 cat IIIB+D PS: 5 GAS TS1: -20°C TS2: +60°C

### Pressure-Temperature Chart



### Pressure Drop Chart



The company reserves all rights for the information contained herein. Products may be changed at any time without notice. Any undated reference to a code or standard shall be interpreted as referring to the latest edition. **RuB** and logo are registered trademarks of **RuB**-Rubinetteria utensilerie Bonomi. Other logos and registered trademarks are property of respective owners.

XCEK84 - Rev: 3651