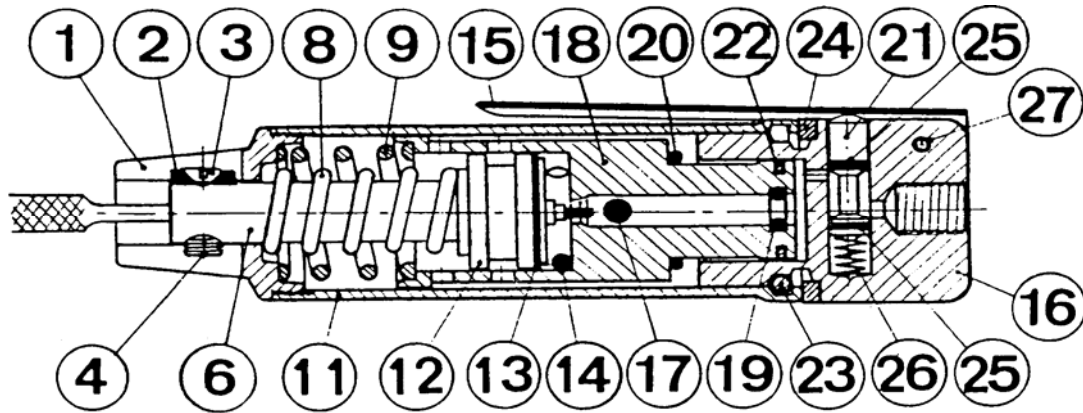


Feiler Air File

FRV 110 29701-14-6

**MANNESMANN
DEMAG**



Nr. No.	BENENNUNG	DESCRIPTION	Lager-Nr. Stock-No.	Stck. Qty.
1	Deckel	Front	29800 01 6	1
2	Führung	Guide	29800 02 6	1
3	Schraube	Screw	29800 03 6	1
4	Verschlussschraube	Blade lock screw	29800 04 6	1
6	Kolbenwelle	Piston extension	60006 36 3	1
8	Feder	Spring	29800 06 6	1
9	Feder	Spring	29800 07 6	1
11	Gehäuse	Housing	29800 08 6	1
12	Kolben	Piston	29800 09 6	1
13	Kolbenring	Piston ring	29800 10 6	1
14	Distanzring	Limit ring	29800 11 6	1
15	Ventilhebel	Throttle	29800 12 6	1
16	Lufteinlaß	Rear	29800 13 6	1
17	Kugel	Ball	29800 14 6	1
18	Zylinder	Cylinder	29800 15 6	1
19	Haltering	Retainer ring	29800 16 6	1
20	O-Ring	O-Ring	29800 17 6	1
21	Bolzen	Valve stem	29800 18 6	1
22	Dichtring	Seal ring	29800 19 6	1
23	Haltestift	Curved cylinder	29800 20 6	1
24	Verschlußring	Lock ring	29800 21 6	1
25	O-Ring	O-Ring	29800 22 6	2
26	Ventilfeder	Valve spring	29800 23 6	1
27	Stift	Pin	29800 24 6	1
*29	Schlüssel	Key	29800 25 6	1

* Nicht gezeichnet

Not shown