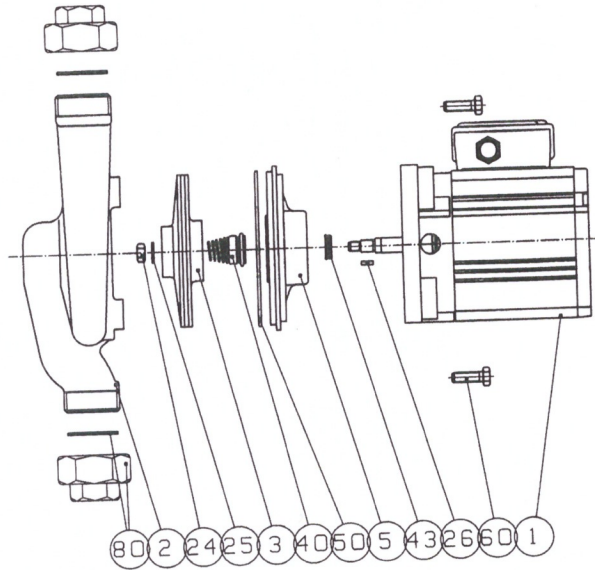


## Pump service

### Parts for AE-pumps

- 1 Electric motor
- 2 Pump housing
- 3 Impeller = *Waaier*
- 5 Sealing flange
- 24 Nut / Screw
- 25 Washer = *ringetje*
- 26 Key = *spie*
- 40 Mechanical seal = *shaft seal*
- 43 V-ring
- 50 O-ring / gasket / *Pakking*
- 60 Nut / Screw
- 80 Pipe joint ( AE-26, AE-33)



4

### Parts for L-, AL-, ja AKN- pumps

- 1 Electric motor
- 2 Pump housing
- 3 Impeller
- 5 Sealing flange
- 8 Base plate (not always)
- 24 Nut / Screw
- 25 Washer
- 26 Key
- 40 Mechanical seal
- 43 V-ring (not always)
- 50 O-ring / gasket
- 60 Nut / screw
- 67 Screw
- 80 Pipe joint (ALH-serie)
- 81 Pipe joint (ALH-serie)
- 86 Pipe (ALH-serie)

