



# DNH

HEAD OFFICE, NORWAY  
DNH AS

Phone..... + 47 35 98 56 00  
Fax..... + 47 35 98 56 10  
E-mail..... dnh@dnh.no  
Web-Site..... www.dnh.no

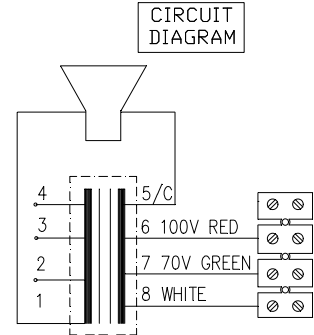
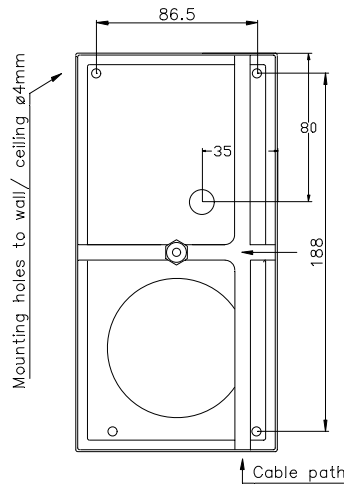
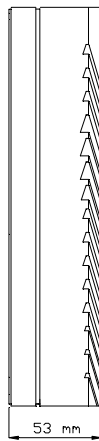
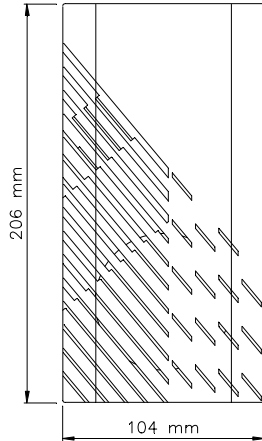
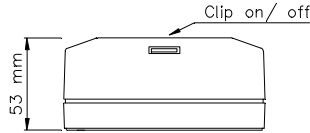
ENGLAND  
DNH WW Ltd  
Phone..... + 44 1908 275 000  
Fax..... + 44 1908 275 100  
E-mail..... dnh@dnh.co.uk

GERMANY  
DNH GmbH  
Phone... + 49 040 6569 30-0  
Fax..... + 49 040 6569 30-30  
E-mail..... dnh@dnh.de

## SAFE-10P(T)

USA  
DNH Speakers Inc  
Phone..... + 1 484 494 5790  
Fax..... + 1 484 494 5793  
E-mail..... dnh@dnhspeakers.com

ISO 9001 CERTIFIED



Primary connection	
White:Green	70V
White:Red	100V
Secondary nominal tapings	
C : 1	10,0 W
C : 2	5,0 W
C : 3	2,5 W
C : 4	1,0 W

Sound pressure levels at 1W/1m  
**SPL vs Freq**



### Specifications

Material / Color	ABS / RAL 9010
Mounting	4 screws
Termination	Inside screw terminal
Weight w/transformer	0,8 kg
IP-rating	44
Max. / min. amb. temp	90°C / -40°C
Rated / max. power	10 W / 15 W
SPL 1W/1m	87 dB
SPL rated power	97 dB
Effective freq. range	160 – 17000 Hz
Dispersion (-6dB) 1kHz / 4kHz	115° / 70°
Options	Impedances, colors, labels

### Installation, Operation and Maintenance Procedures

- Open the cabinet, pressing the clip on the short end of the cabinet, and lift the cabinet from the mounting plate
- Lead cable through the cable gland and connect to terminal 70V (white – green) or 100V (white – red).
- Choose required power on the transformer.
- Fasten the mounting plate to wall or ceiling by four screws.
- Close the cabinet by clipping on the front cover.
- For optimum performance, always use the correct voltage / power and operate within the frequency limits as stated.
- Do not open loudspeaker when energized.
- This loudspeaker is supplied with a two years warranty against defective workmanship.

DNH reserves the right to alter specifications without notice

