



**Ambient Temperature:** 0°C ~ +50°C

**Ambient Humidity:** < 85%RH

**Insulation Class:** B

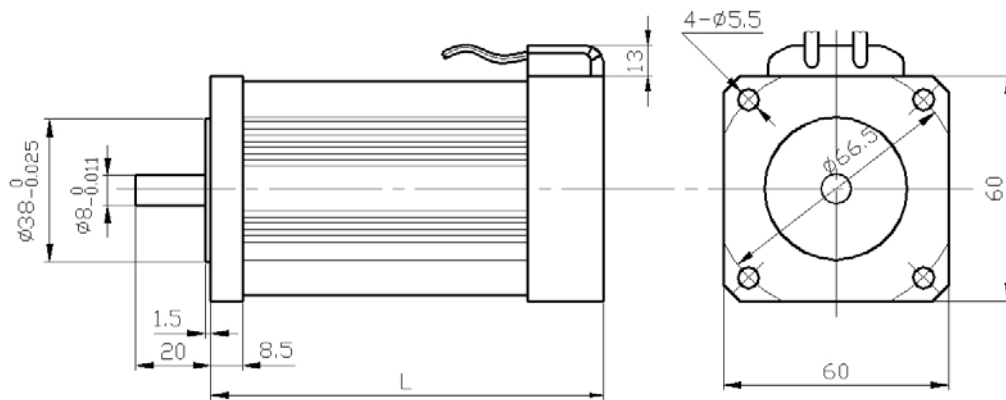
**Vibration/Impact:** 0.5/2.5G

## Specifications

Ordering Code	Model	Rated Output Power (W)	Rated Voltage (V)	Rated Speed (rpm)	Rated Torque (Nm)	Peak Torque (Nm)	Detent Torque (Nm)	Rated Current (A)	Peak Current (A)	Pole Pairs	Weight (Kg)
060120	57BL-1010H1-LS-B	100	220(AC)	1000	0.96	1.92	0.02	0.5	1.0	5	1.5
060060	57BL-1015H1-LS-B	100	220(AC)	1500	0.64	1.28	0.015	0.5	1.0	5	1.1
060010	57BL-1030H1-LS-B	100	220(AC)	3000	0.32	0.64	0.01	0.6	1.02	5	0.8
060015	57BL-1080H1-LS-B	100	220(AC)	8000	0.12	0.24	0.01	0.52	1.04	5	0.8
060050	57BL-2030H1-LS-B	200	220(AC)	3000	0.64	1.28	0.015	1.1	2.0	5	1.1
060100	57BL-3030H1-LS-B	300	220(AC)	3000	0.96	1.92	0.02	1.6	3.0	5	1.5
060000	57BL-0730N1-LS-B	70	24(DC)	3000	0.23	0.46	0.01	4.0	8.0	5	0.8
059991	57BL-0880N1-LS-B	80	24(DC)	8000	0.095	0.19	0.01	6.2	12.4	5	0.8
060170	76BL-3015H1-LK-A	300	220(AC)	1500	1.9	3.8	0.04	2.2	6	5	4.2
060210	92BL-2015H1-LK-B	200	220(AC)	1500	1.3	2.6	0.04	0.81	1.62	5	2.5
060250	92BL-4015H1-LK-B	400	220(AC)	1500	2.6	5.2	0.08	2.0	3.68	5	3.6
060200	92BL-4030H1-LK-B	400	220(AC)	3000	1.3	2.6	0.04	2.0	3.72	5	2.5
060300	92BL-5015H1-LK-B	500	220(AC)	1500	3.2	6.4	0.09	2.04	4.08	5	5.0
060241	92BL-5030H1-LK-B	500	220(AC)	3000	1.59	3.18	0.08	2.77	5.55	5	3.6
060270	92BL-6030H1-LK-B	600	220(AC)	3000	1.9	3.8	0.09	3.2	6.4	5	5.0

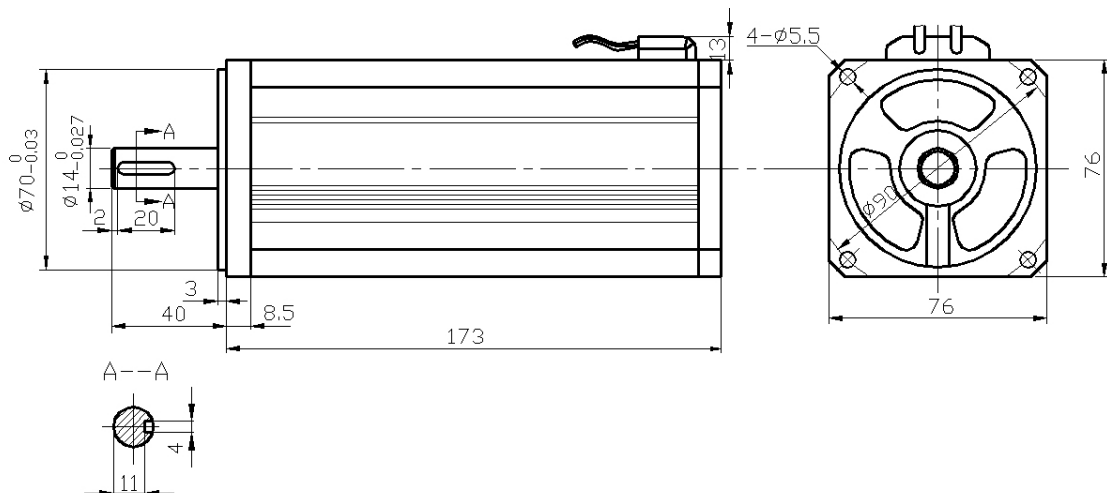
## Dimensions [Unit: mm]

Diagram 1 57 Series

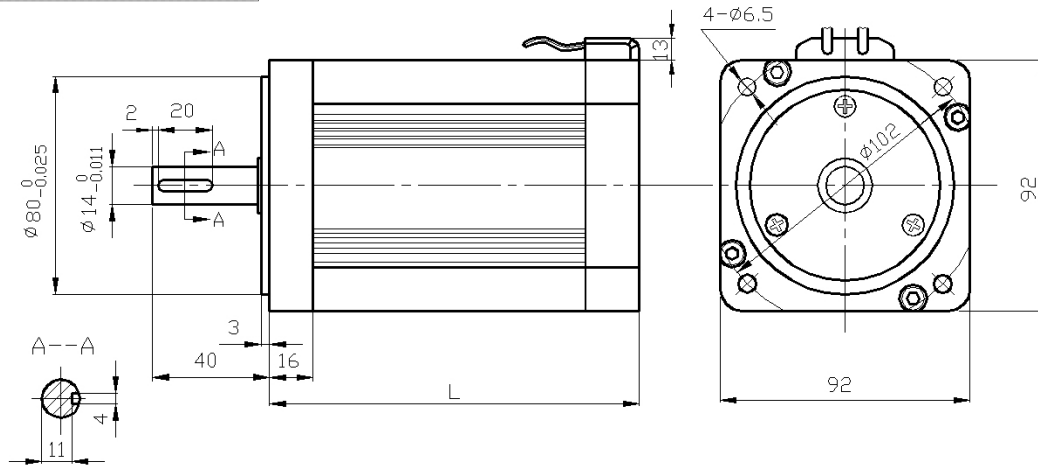


	57BL-0730N1-LS-B	57BL-1030H1-LS-B	57BL-1015H1-LS-B	57BL-1010H1-LS-B
	57BL-0880N1-LS-B	57BL-1080H1-LS-B	57BL-2030H1-LS-B	57BL-3030H1-LS-B
L	73		103	126

Diagram 2 76 Series



**Diagram 3 92 Series**



	92BL-2015H1-LK-B	92BL-4015H1-LK-B	92BL-5015H1-LK-B
	92BL-4030H1-LK-B	92BL-5030H1-LK-B	92BL-6030H1-LK-B
L	86	116	146

## Wires

### Hall Cable

Color	Name
Red	SA
Yellow	SB
Blue	SC
Green	S+
Black	S-

### Motor Cable

Color	Name
Red	U
Yellow	V
Blue	W

**Beijing HollySys Electric Tech. Co., Ltd.**

**Add:** A-10F, HuiZhi Building, No.9 XueQing Road, HaiDian  
Dist., Beijing, P.R. China

**Postcode:** 100085

**Tel:** 86-10-62932100

**Fax:** 86-10-62927946

**Website:** [www.hollysys-electric.com](http://www.hollysys-electric.com)