

RL/G2
WITH 2 FLOATS

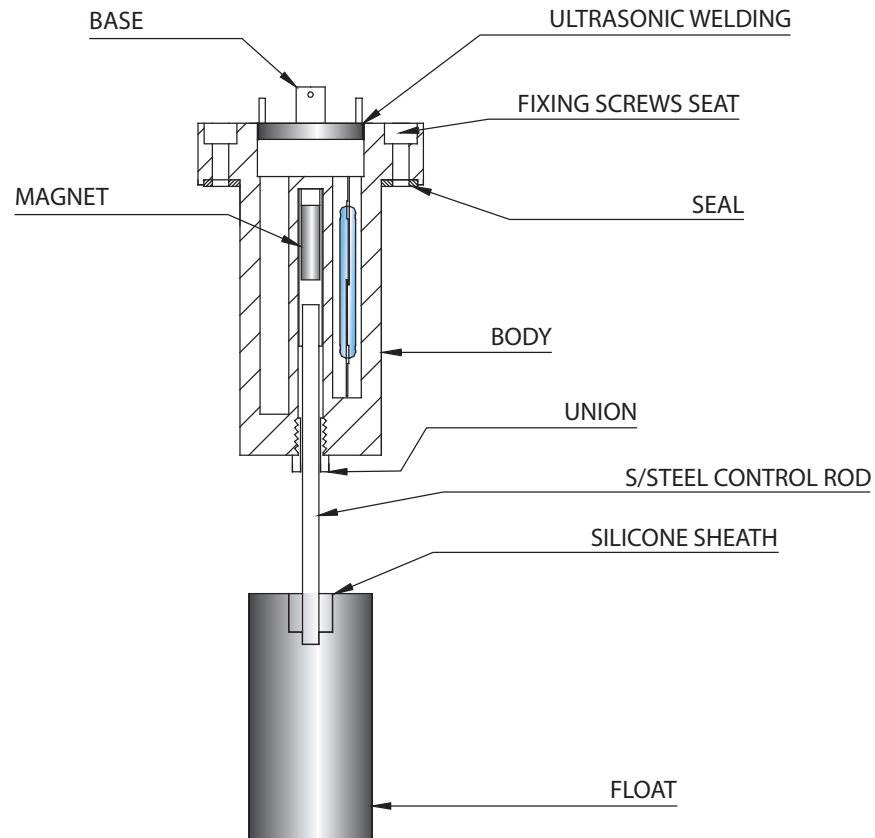


RAPID LEVEL
Patented level switches with unique characteristics.



RAPID LEVEL

PATENTED LEVEL SWITCHES WITH UNIQUE CHARACTERISTICS



* The required length can be obtained simply by cutting the steel rod, using an ordinary pipe cutter; or the switching point can be varied by using a float with through hole allowing the required liquid control point to be modified whenever necessary.

* It can be used for dirty liquids, water, petroleum, cutting oils, and tolerates the presence of metal and ferrous particles, since the float does not hold a magnet and is integral with the rod.

* One float can operate just one Reed (min. or max. level), or two Reeds (min. and empty and extra max. level) thus meeting the most complex needs.

* Total safety since the electrical part is completely separate in the tank side and perfectly sealed with respect to the external side by means of ultrasonic welding and resin coating of the pins.

* The nylon-glass body is very strong and very resistant with respect to chemicals, and is ideal as an insulating container for the Reed contacts.

* The Rapid Levels come standard with rods suitable for control of a max. measurement of 500 or 1000mm. To obtain specific measurements, refer to the table on the next page.

* They can be ordered already arranged for the control of predetermined measurements.

THROUGH FLOAT

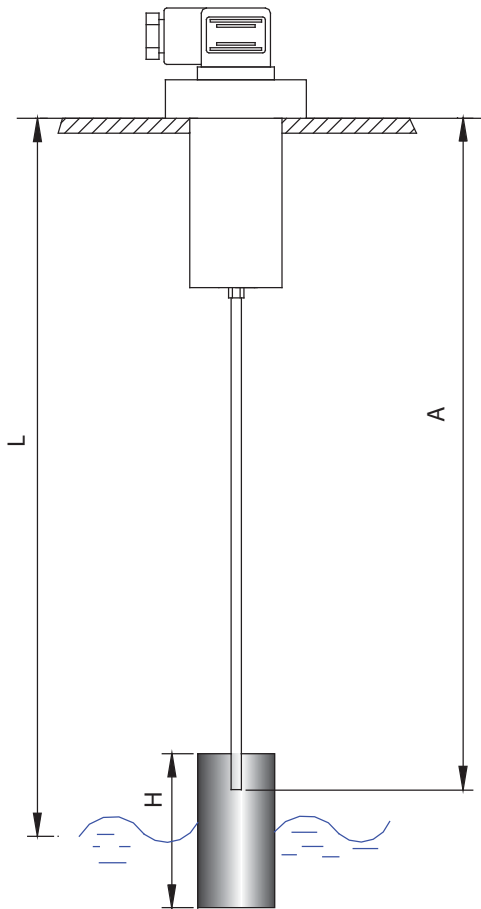


On request the float can be supplied with through hole and therefore be positioned in the required position without having to cut the rod (which can therefore be as long as the height of the tank). If necessary, the liquid control point can be subsequently be modified as required by simply moving the float.

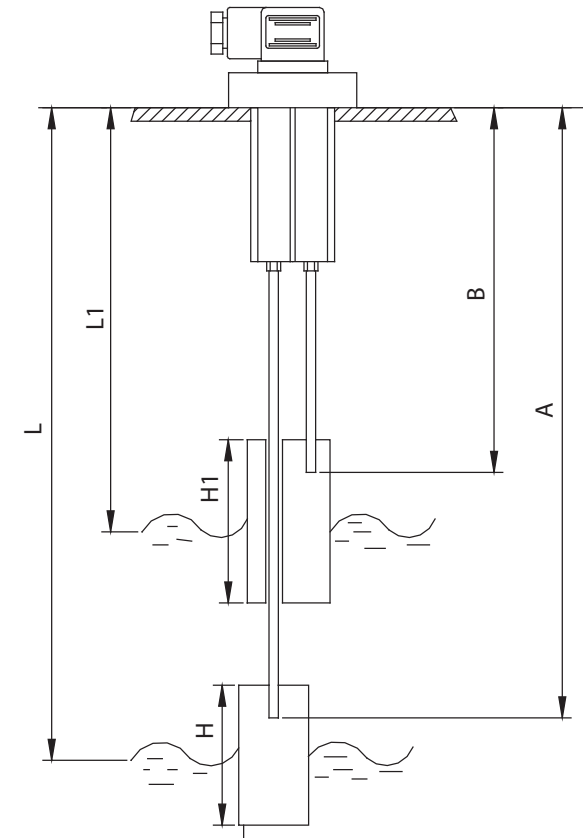
RAPID LEVEL

Rapid Level connection rod cutting table.

(NB : Carry out the cutting measurement with the rod in traction with respect to the body)



CONTROL VALUE (mm)	L=	ROD CUTTING FOR MIN. LEVEL A= (mm)	CONTROL VALUE (mm)	L1=	ROD CUTTING FOR MAX. LEVEL B= (mm)
90		H= 35			
100		H= 45			
110		H= 55			
120		116			
140		137			
160		158			
180		179	90	62	H1= 35
200		200	100	62	H1= 45
220		221	120		131
240		242	140		152
260		263	160		173
280		284	180		194
300		305	200		215
320		326	220		236
340		347	240		257
360		368	260		278
380		389	280		299
400		410	300		320
420		431	320		341
440		452	340		362
460		473	360		383
480		494	380		404
500		515	400		425
520		511	420		421
540		532	440		442
560		553	460		463
580		574	480		484
600		595	500		505
620		616	520		526
640		637	540		547
660		658	560		568
680		679	580		589
700		700	600		610
720		721	620		631
740		742	640		652
760		763	660		673
780		784	680		694
800		805	700		715
820		826	720		736
840		847	740		757
860		868	760		778
880		889	780		799
900		910	800		820
920		931	820		841
940		952	840		862
960		973	860		883
980		994	880		904
1000		1015	900		925

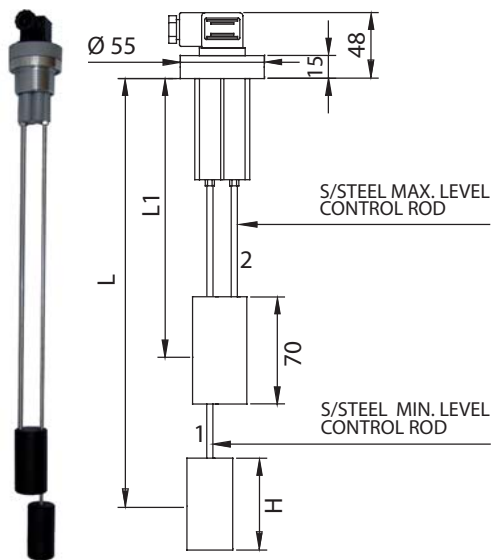


L-L1 = 100 mm
A-B = 90 mm

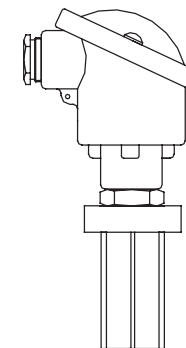
H = 35 (L = 90 mm)
H = 45 (L = 100 mm)
H = 55 (L = 110 mm)
H = 60 (L = 120 - 500 mm)
H = 90 (L = 501 - 1000 mm)
H1 = 35 (L1 = 90)
H1 = 45 (L1 = 100)
H1 = 70 (L1 = 120 - 1000 mm)

RL / G2

RAPID LEVEL" TYPE LEVEL SWITCH WITH 2 FLOATS



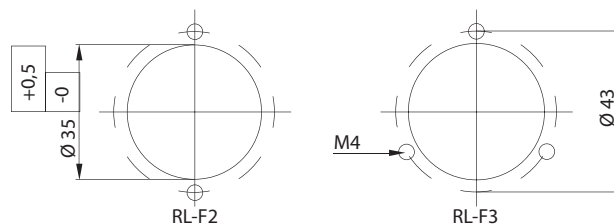
- * The RL/G2 range has a head which holds two control rods and two floats.
- * Each control rod can commute the signal of 1 or 2 Reeds (with single or exchange contact). Each head can therefore contain from 2 to 4 Reeds.
- * The most suitable system can be chosen for each rod.
- * In case of excessively dense liquids the two floats can be supplied entirely separate from each other to prevent rod 1 from undergoing friction with the float of rod 2.
- * The minimum distance between the two points to be controlled is 90mm.



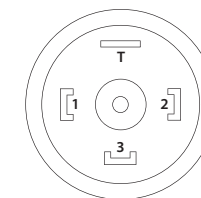
IP65 CONNECTION HEAD WITH 6 POLARITIES

Indispensable for use with systems providing for 4 to 6 polarities.

FIXING DIAGRAM



CONNECTION:
Connector CE
DIN 43650 IP65 PG.9



VERSION	CONNECTION	ELECTRICAL CONTACTS				REED	EXCHANGE REED	OPERATING TEMPERATURE -20 +80°C ON REQUEST 120°C	MAX. PRESSURE 10 Bar	
		MIN. LEVEL CONTROL ROD								
RL / G2 - F3 (F2)	FLANGE 3/2 HOLES	S1= CLOSED IN ABSENCE OF LIQUID	S1A= CLOSED IN PRESENCE OF LIQUID	S2= EXCHANGE	S3= MIN. EMPTY	S4= SPECIAL. MIN. EMPTY	3 A. 60V.A. 230VDC 230 VAC	1A. 20V.A. 150VDC 150 VAC	0,5A. 30W 500 VDC	
RL / G2 - 1"1/4 GAS	1" 1/4 GAS	MAX. LEVEL CONTROL ROD				S1= CLOSED IN PRESENCE OF LIQUID				S1A= CLOSED IN ABSENCE OF LIQUID
RL / G2 - 1"1/4 NPT	1" 1/4 NPT									