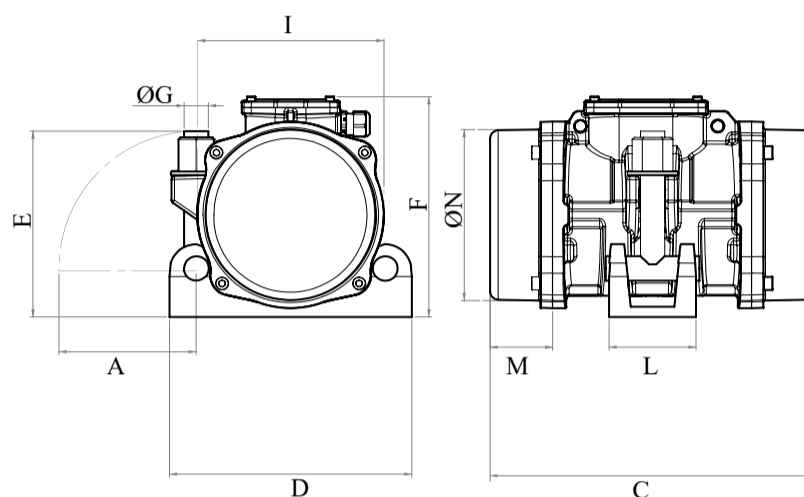




MVE 1300/6N-HC-50A0 (CN20130050A0HB0000)

3 PH - 2 poles - 6000 RPM - 220-240/400-460 V - 100 Hz

Working moment (Kg*cm)	Unbalance (Kg*cm)	Centrifugal force (Kg)	Nominal voltage (V)	Input power (kW)	Current (A)	Power Factor	Ia/In
7,32	3,66	1.907	220-240/400-460	1,6	Δ 4,38 Y 2,53	0,99	



OVERALL DIMENSIONS (mm)											
Weight (Kg)	G	Holes number	A	C	D	E	F	I	L	M	N
28,6	25	1	136	321	240	184	218	185	86	62	170

TECHNICAL FEATURES						
Type of grease	Greased for life	Screw	Washer	Clamping torque (Nm)	Cable type	Cable gland
KLUBER ISOFLEX NB52	Yes	M24	25 x 44 mm	574	4G2.5 80°C	M20 80°C

BEARINGS				
Bearing model	Type	Life 100%	Life 80%	Life 50%
NJ 306		/	/	/

CERTIFICATION	
Atex II 3D Ex tc IIIc Tx IP66 [Tx Size 10-30:100°C - Tx Size 40-91:135°C] T.Amb -20/+40°C	

REV.0-n/a