

# series FM

Magnetic sensors  
for cylinders

## MAGNETIC SENSORS SERIES FM157

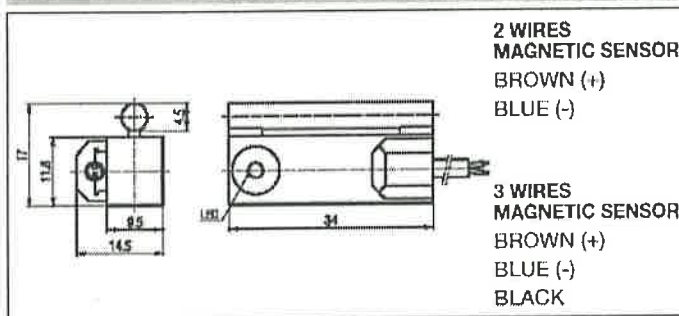
### TECHNICAL DATA

| TYPE                 | FM157 - FM157/C | FM157E - FM157E/C |
|----------------------|-----------------|-------------------|
| Working temperature  | -10 ÷ +70 °C    |                   |
| Protection class     | IP67            |                   |
| Model                | REED SWITCH     | HALL EFFECT       |
| Contacts             | N.A.            | PNP               |
| Voltage AC/DC        | 3 ÷ 250 V       | 6 ÷ 30 V          |
| Max voltage drop     | 3 V             | 1 V               |
| Max exchange current | 1500 mA         | 250 mA            |
| Max power            | 10 W            | 6 W               |
| Operating frequency  | 500 Hz          | 200 KHz           |

### MATERIALS

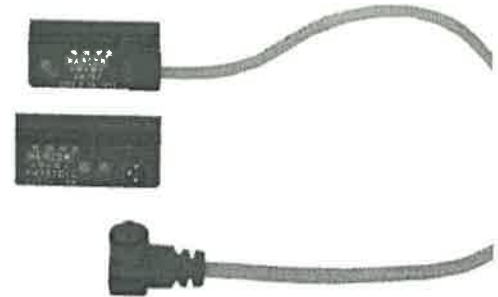
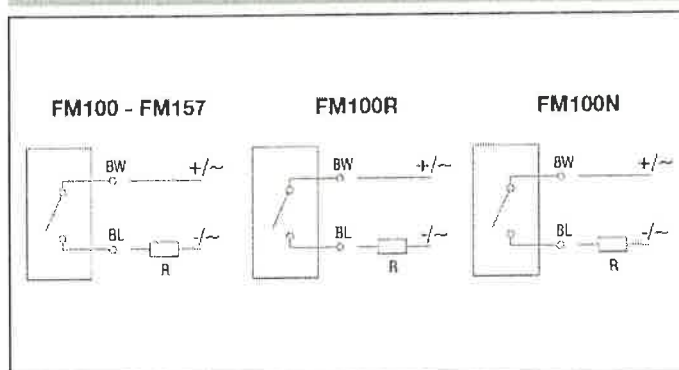
|           |                                      |
|-----------|--------------------------------------|
| Body      | Polyamide, stainless steel and brass |
| Cable     | Polyvinylchloride                    |
| Connector | Polyurethane and gold-plated brass   |

### FM157 - FM157E

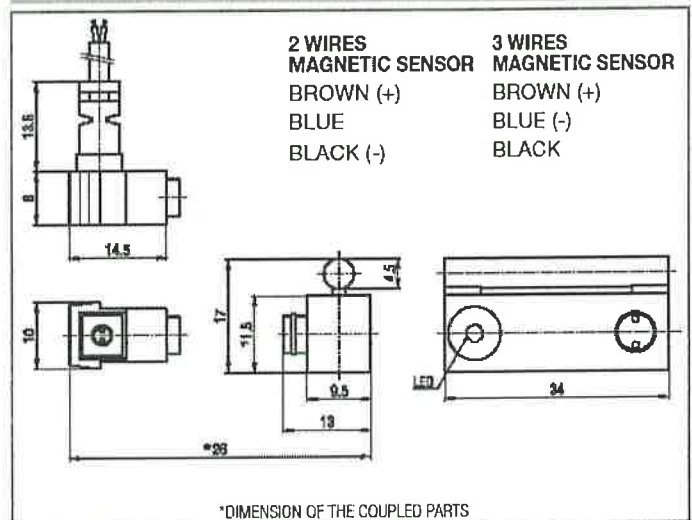


| DESCRIPTION  | WEIGHT (g) | TYPE   |
|--|------------|--------|
| Reed switch with LED and 2 wires cable 2,5 m length                    | 55         | FM157  |
| Hall effect switch version PNP with LED and 3 wires cable 2,5 m length | 58         | FM157E |

### ELECTRIC CIRCUIT REED SWITCH



### FM157/C - FM157E/C



| DESCRIPTION  | WEIGHT (g) | TYPE     |
|--|------------|----------|
| Reed switch with LED, connector M8 and 2 wires cable 2,5 m length                    | 58         | FM157/C  |
| Hall effect switch version PNP with LED, connector M8 and 3 wires cable 2,5 m length | 61         | FM157E/C |

### ELECTRIC CIRCUIT HALL EFFECT SWITCH

