

VIBRATOR TECHNICAL DATA SHEET

MODEL: MVS1 12-1630, 230/460V 60Hz 3PH

SERIE: AD FRAME SIZE: 35 P/N: 602402C

IP66

RPM 1200

MECHANICAL CHARACTERISTICS

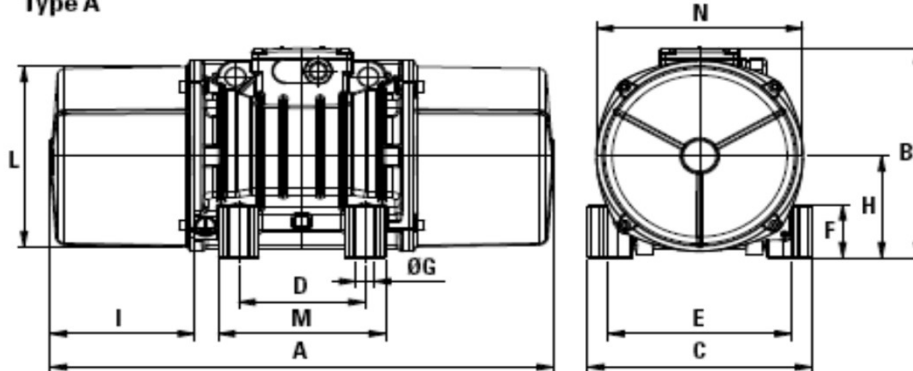
Weights Position	Static moment		Centrifugal Force			Bearing Life (hrs) w/1.3 Load Factor	Bearing Life (hrs) w/1.0 Load Factor
	%	kgmm	in.-lb	kg	lb		
100	457	39.7	737	1621	7.23	10147	22293
90	411	35.8	663	1459	6.50	13938	30622
80	366	31.8	590	1297	5.78	19778	43453
70	320	27.8	516	1135	5.06	29567	64958
60	274	23.8	442	973	4.34	47042	>100000
50	229	19.9	369	811	3.61	80848	>100000
40	183	15.9	295	649	2.89	>100000	>100000
30	137	11.9	221	486	2.17	>100000	>100000
20	91.4	7.9	147	324	1.45	>100000	>100000
10	45.7	4.0	74	162	0.72	>100000	>100000

Weight:	32.6 kg (71.9 lb)	Bearing:	6308.2Z.C3
Working Moment:	91.4 kgcm (79.4 in.-lb)	Dynamic load:	9489 lb (4313kg)
Max Static Moment:	457 kgmm (39.7 in.-lb)	Lube schedule:	Lubricated for life

ELECTRICAL CHARACTERISTICS

	230	460		in.-lb	Nm
Nominal input voltage:	230	460	Nominal torque:	19.9	2.23
Nominal current (amps):	1.36	0.68	Start torque:	36.6	4.10
Start current (amps):	5.00	2.50	Maximum torque:	44.6	5.00
Start/Nom. current ratio:	3.68		Start/nom. torque ratio:	1.84	
Input power (watts):	380		Max/nom. torque ratio:	2.24	
Output power (hp):	0.36		Starting time (sec):	2.33	
Service Factor:	1.0		Duty cycle:	continuous	
Efficiency:	71%		Max. Ambient Temp.:	+40°C (104 F)	
Slip:	6%		Inertia (kgm ² lb-ft ²):	0.2009	5.5701
Power factor:	0.70		Inverter Duty:	20Hz to 60Hz	
Coil resist (Ω @ 20°C):	51				
Insulation class:	F				
Locked Rotor Code:	F				



Type A



	in.	mm
A:	17.13	435
B:	8.83	224
C:	8.07	205
D:	4.72	120
E:	6.69	170
ØG:	0.67	17
F:	1.65	42
H:	4.12	104.5
I:	4.63	118
L:	7.36	187
M:	6.38	162
N:	7.99	203

External cable diam.:	9 to 16 mm 0.354 to 0.630 inch.
Serv. length req. per side:	118 mm (4.63 inch.)
Mounting bolts:	M16 - (5/8")
Mounting bolt torque:	19 kgm (137 ft.-lb)

Approvals and certifications

	ATEX 2014/34/UE - IECEx - UK SI II2D Ex tb IIIC T120°C Db
	CSA C22.2 N°100-95 Class 4211 01 Class II, Div. 2, Gr.FG, T3B
	TR CU 012/2011 Cert. N° RU C-IT.HB07.B.00614/22
	