

AC - DC Din Rail



Features:

- Compact design
- High efficiency up to 90%
- P.F.C function available
- Parallel function available (switch)
- Input Voltage 115 / 230 V ac auto select

AC - DC Din rail mountable 240 W
Industrial control equipment

Model List

Model No.	Input Voltage	Output Wattage	Output Voltage	Output Current	EFF. (Minimum)	EFF. (Typical)
Single Output Models						
DRA240-24A	115 / 230 V ac	240 Watts	+24 V dc	10 A	87%	89%
DRA240-48A	115 / 230 V ac	240 Watts	+48 V dc	5 A	88%	90%

Specifications

All specifications typical at nominal line, full load, 25°C unless otherwise noticed

General						
Characteristics	Conditions	Minimum	Typical	Maximum	Unit	
Isolation Voltage	Input / output	3,000	-	-	VAC	
Isolation Resistance	Input / output, at 500 V dc	100	-	-	MΩ	
Ambient Temperature	Operating at Vi nom, Io 70% to 100%	-10	-	+50	°C	
Case Temperature	Operating at Vi nom, Io nom	-	-	+90	-	
Derating	Vi nom, Io nom +51 to +71°C	-	-	1.5	% / °C	
Storage Temperature	Non Operational	-25	-	+85	°C	
M.T.B.F.	According to MIL-HDBK-217F, GF40	-	200,000	-	Hrs	
Relative Humidity	Vi nom, Io nom	20	-	95	% RH	
Dimension	Screw terminal type	L125 × W83 × D126			mm	
	Detachable connector type	L142 × W83 × D126			mm	
Cooling	Free air convection	-	-	-	-	
Case Material	Metal	-	-	-	-	

AC - DC Din Rail



Input Specifications					
Characteristics	Conditions	Minimum	Typical	Maximum	Unit
Rated Input Voltage	Io nom	115 / 230 (auto select)			V ac
Input Voltage Range	Ta minimum to Ta maximum, AC 115 V selected	93	-	132	V ac
	Io nom, C 230 V selected	186	-	264	V ac
	DC	210	-	370	V ac
Rated Input Current	Io nom	-	5.4 / 2.2	-	A
Line Frequency	Vi nom, Io nom	47	-	63	Hz
Inrush Current	Vi nom, Io nom, Vi : 115 V ac	-	-	30	A
	Vi : 230 V ac	-	-	60	A
P. F. C.	Vi : 230 V ac, Io nom	-	0.7	-	-

Output Specifications					
Characteristics	Conditions	Minimum	Typical	Maximum	Unit
Output Voltage Accuracy (Adjusted before shipment)	Vi nom, Io maximum	-0	-	+1	%
Minimum Load	Vi nom	0	-	-	%
Line Regulation	Io nom, Vi minimum to Vi maximum	-	-	±0.5	%
Load Regulation	Vi nom, single mode	-	-	±1	%
	Io minimum to Io nom, parallel mode	-	-	±5	%
Temperature Coefficient	Vi nom, Io minimum	-	-	±0.3	% / °C
Ripple and Noise	Vi nom, Io nom, BW = 20 MHz	-	-	100	mV
Hold up Time	Vi nom, Io nom, Vi = 115 V ac	25	-	-	ms
	Vi = 230 V ac	30	-	-	ms
Voltage Trim Range	Vi nom, Io nom, 24 V models	22.5	-	28.5	V dc
	48 V models	47	-	56	V dc
DC on Indicator Threshold at Start up	Vi nom, Io nom, 24 V models	17.6	-	19.4	V dc
	48 V models	37	-	43	V dc
DC Low Indicator Threshold After Start up	Vi nom, Io nom, 24 V models	17.6	-	19.4	V dc
	48 V models	37	-	43	V dc
Parallel Operation	0.9 Io maximum	-	-	3	unit
Efficiency	Vi nom, Io nom, Po / Pi	Up to 90%, see model list			

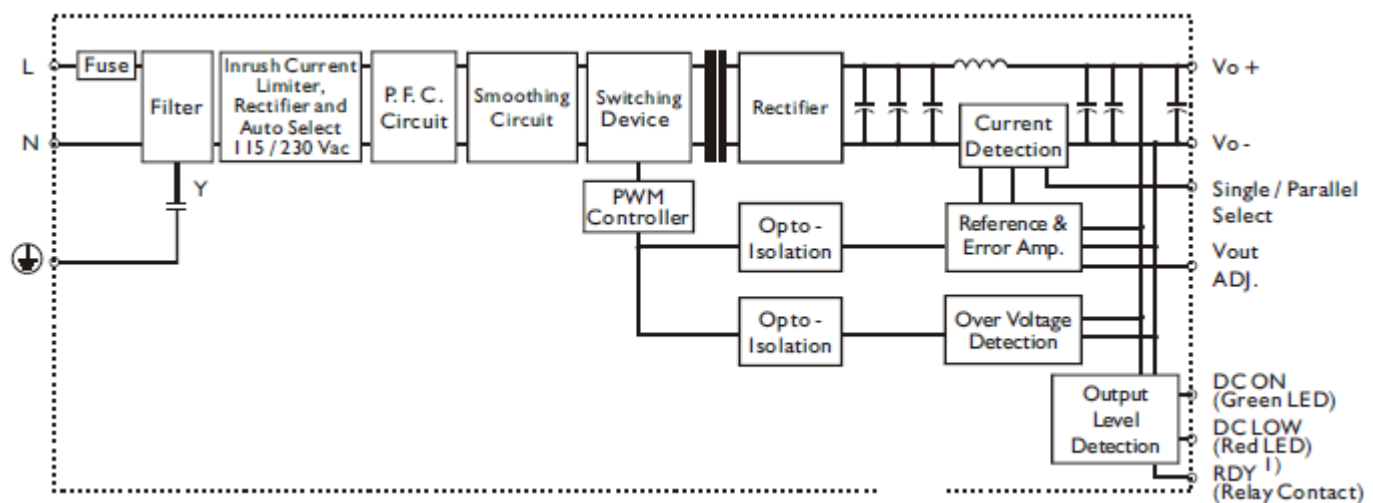
AC - DC Din Rail

Control and Protection					
Characteristics	Conditions	Minimum	Typical	Maximum	Unit
Input Fuse	-	T6.3 A / 250 V ac internal			
Rated Over Load Protection	Vi nom	105	-	145	%
Power Rdy (for 24 V Model Only)	Threshold voltage of contact closed (at start up)	17.6	-	19.4	V dc
	Electrical isolation	500	-	-	V dc
	Contact rating at 60 V dc	-	-	0.3	A
Over Voltage Protection	Vi nom, Io nom	120	-	145	%
Output Short Circuit	Vi nom, Io nom	Current limited			

Approvals and Standards	
UL / cUL	UL508 Listed
TUV	EN60950
CE	EN61000-6-3
	EN61000-6-2
	EN61000-4-2, EN61000-4-3, EN61000-4-4, EN61000-4-5, EN61000-4-6, EN61000-4-11

Circuit Schematic

- Block diagram for DRA240 series

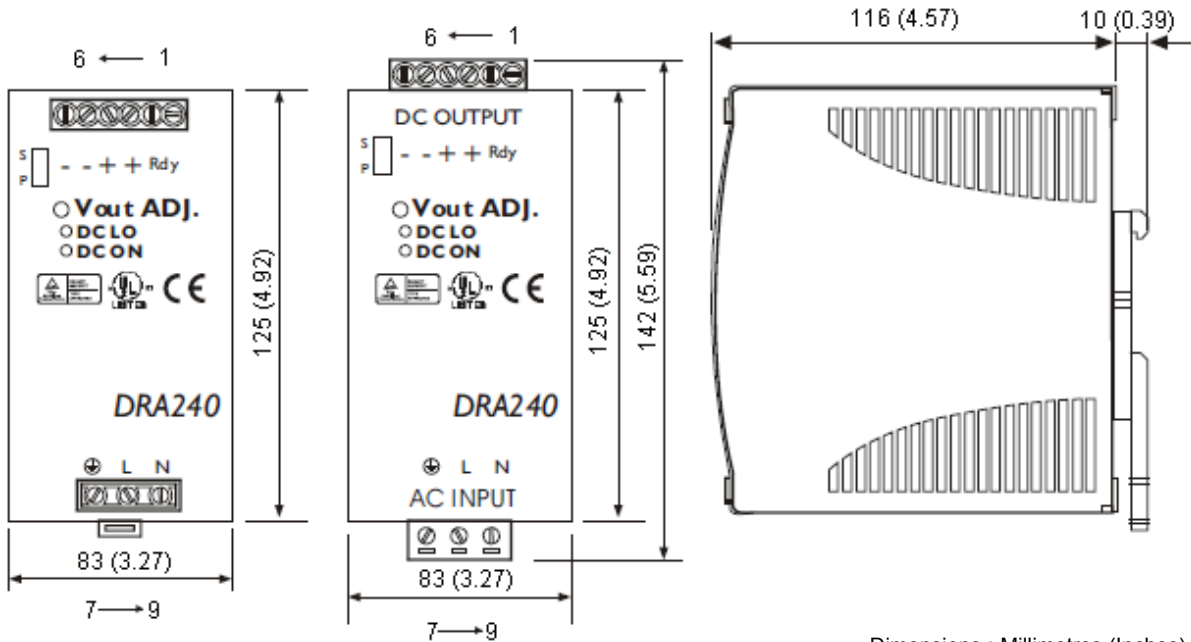


Physical Characteristics

Case Size	
Screw Terminal Type	: 125 × 83 × 126 mm 4.92 × 3.27 × 4.96 inches
Detachable Connector Type	: 142 × 83 × 126 mm 5.59 × 3.27 × 4.96 inches
Weight	: 1,000 g

AC - DC Din Rail

Mechanism and Pin Configuration



Dimensions : Millimetres (Inches)

Construction

Easy snap-on mounting onto the DIN-Rail (TS35/7.5 or TS35/15), unit sits safely and firmly on the rail

Installation

Ventilation / Cooling

Normal convection

All sides 25 mm free space

For cooling recommended

Connector size range

Screw terminal:

10-24 AWG flexible / solid cable,

8 mm stripping at cable end recommends

Detachable connector:

14-24 AWG flexible / solid cable,

7 mm stripping at cable end recommends

Pin Assignment

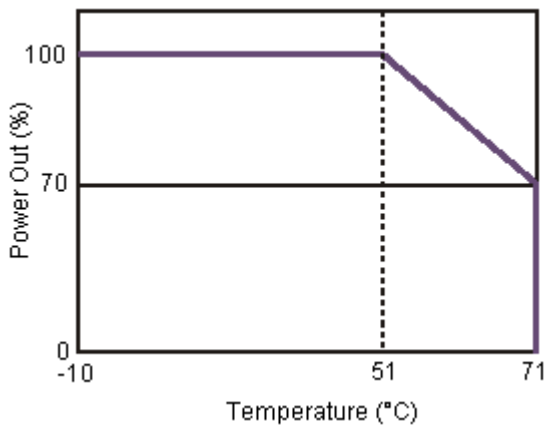
Pin Number	Designation		Description
1	Out	RDY	A normal open relay contact for DC ON level control (Never connect except 24 V model)
2			
3		V +	Positive output terminal
4		V +	Positive output terminal
5		V -	Negative output terminal
6		V -	Negative output terminal
7	In		Ground this terminal to minimize high-frequency emissions

AC - DC Din Rail

Pin Assignment

Pin Number	Designation		Description
8	In	L	Input terminals (phase conductor, no polarity at DC input)
9		N	Input terminals (neutral conductor, no polarity at DC input)
-	Other	DC ON	Operation indicator LED
-		DC LO	DC LOW voltage indicator LED
-		Vout ADJ.	Trimmer-potentiometer for Vout adjustment
-		S / P	Single / Parallel select switch

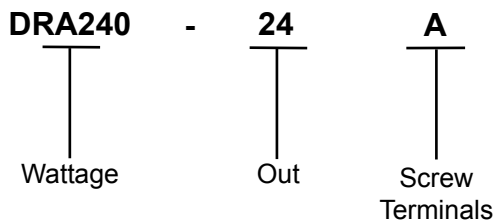
Derating



Part Number Table

Description	Part Number
PSU, Din Rail, 240 W, 24 V	DRA240-24A
PSU, Din Rail, 240 W, 48 V	DRA240-48A

Part Number Explanation:



Out : 24 = 24 V out and 48 = 48 V out
Screw Terminals : A = Screw Terminals

Important Notice : This data sheet and its contents (the "Information") belong to the members of the Premier Farnell group of companies (the "Group") or are licensed to it. No licence is granted for the use of it other than for information purposes in connection with the products to which it relates. No licence of any intellectual property rights is granted. The Information is subject to change without notice and replaces all data sheets previously supplied. The Information supplied is believed to be accurate but the Group assumes no responsibility for its accuracy or completeness, any error in or omission from it or for any use made of it. Users of this data sheet should check for themselves the Information and the suitability of the products for their purpose and not make any assumptions based on information included or omitted. Liability for loss or damage resulting from any reliance on the Information or use of it (including liability resulting from negligence or where the Group was aware of the possibility of such loss or damage arising) is excluded. This will not operate to limit or restrict the Group's liability for death or personal injury resulting from its negligence. Multicomp is the registered trademark of the Group. © Premier Farnell plc 2012.