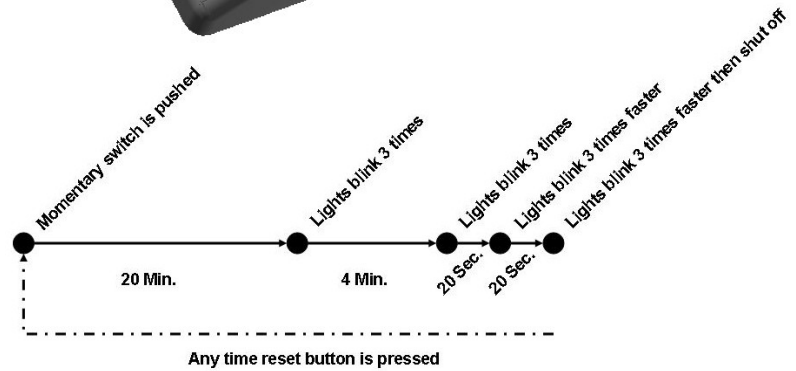
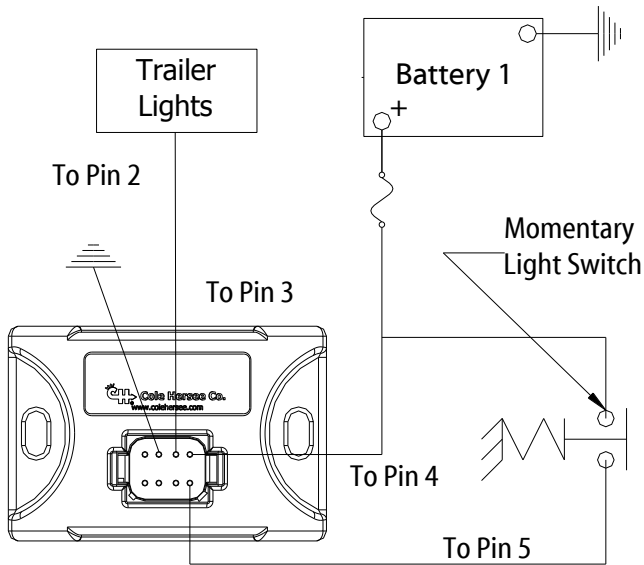
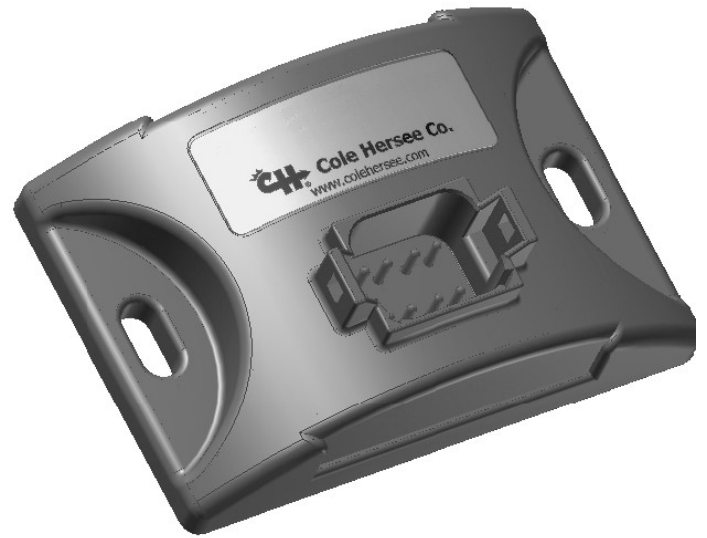


Interior Light Timer

48636 Interior Light Timer
 48636-0X Interior Light Timer Kit
 48736 Programmable Interior Light Timer
 48736-0X Programmable Interior Light Timer Kit
For 12V and 24V Systems



Connections

(using the 12805 Mating Connector Kit)

Warning: Disconnect the battery before installation.

1. This information sheet assumes that the 12805 wire harness has already been assembled per the instructions it came with.
2. Connect pin 2 (Battery-) to ground.
3. Connect pin 3 (Load+) to the trailer lights and connect the negative side of the lights to a local ground.
4. Connect pin 4 (Battery+) to an appropriately sized fuse. Connect the fuse to the positive terminal of the main battery.
5. Connect pin 5 (Trigger) to a normally open, single pole single throw (NO-SPST) momentary switch. Connect the other side of the switch to Battery+.
6. Unused connector pins should be plugged with Deutsch blanking pin, see specifications section.

Normal Operation Summary

1. When the Trigger input is momentarily energized (momentarily connected to Battery+), the lights will turn on for twenty minutes.
2. After 20 minutes, the lights will blink three times and then remain on for four minutes.
3. After four minutes, the lights will again blink three times and then remain on for twenty seconds.
4. After twenty seconds, the lights will blink three times and remain on for twenty seconds. The blink rate is increased.
5. After twenty seconds, the lights will blink three times at an even higher rate and then turn off.
6. At any time, the trigger switch can be activated. This resets the timer, i.e. the twenty minute timer is reset to zero and the lights are on.

Additional Operating Detail

1. Overcurrent Protection - If the output of the controller exceeds 15A for 1 second, the lights are de-energized. After a 10 second cool off period, the controller resumes normal operation.
2. Abnormal Voltage - If Battery+ is less than 8.5V, the load is turned off. The unit automatically resumes normal operation after Battery+ returns to normal.
3. For programmable versions, use Cole Hersee Programmer 48650 with cable assembly 65374.

Interior Light Timer Accessories available from Cole Hersee:

- 12805: Mating connector kit
- 58332-03: Rocker Switch with Indicator
- 55020-02: Toggle Switch
- 55020-04: Coated Toggle Switch
- 9216-03: Momentary Switch
- 9187-02: Momentary Pushbutton Switch
- 48785: 85A 12V & 24V high efficiency Solenoid
- 24059: Insulated 12V 85A Solenoid
- 24106: Grounded 12V 85A Solenoid
- 24143: 12V 200A Solenoid
- 24063: Insulated 24V 85A Solenoid
- 24124: Grounded 24V 85A Solenoid
- 24144: 24V 200A Solenoid
- MA-250012-RS: 12V Relay
- MA-150024-RS: 24V Relay

For more information on Cole Hersee Products:
www.colehersee.com

Submit all technical questions to:
CH_engineering-group@littelfuse.com

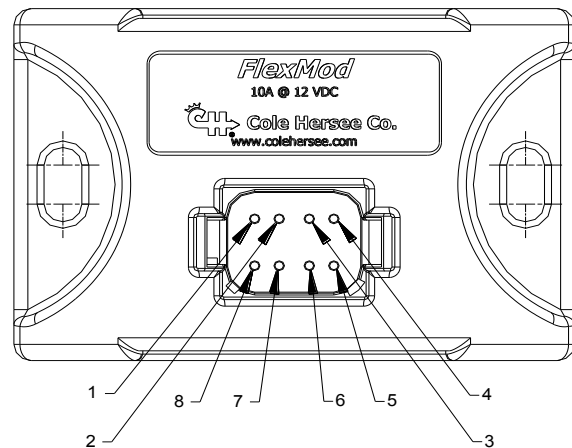
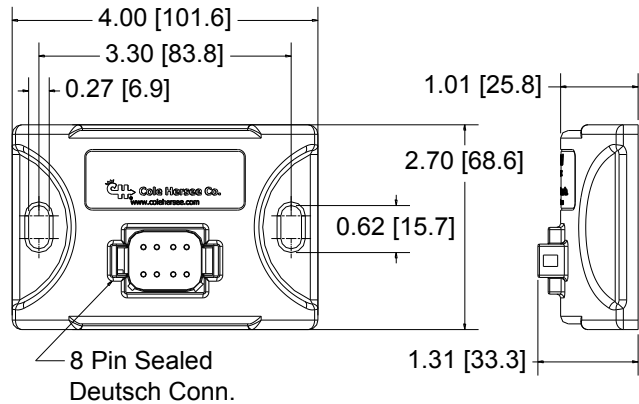
IF-171

Rev. B

Littelfuse Commercial Vehicle Products
www.colehersee.com www.littelfuse.com

Specifications

- Environmental: SAE J1455 & J1113
Sealed to IP-67
- Electrical: 9-32VDC
10A max. load current
2 mA max quiescent current
- Mating Connector: Deutsch DT06-08S
Blanking pin: Deutsch 114017
- Mounting: Use 1/4" bolts on 3.3" centers.
- Dimensions: 4"x2.7"x1"



Connector pin descriptions:

1. NOT USED
2. GROUND (Battery-)
3. LOAD+
4. BATT+
5. TRIGGER
6. NOT USED
7. REDUNDANT GROUND (Battery-)
8. REDUNDANT GROUND (Battery-)